

# sanyo pv panels installation guide

Download sanyo pv panels installation guide



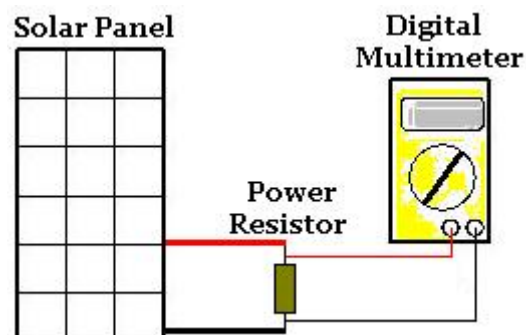
Our software is  
**100% SAFE**  
to download!



Spyware Free  
Adware Free  
Virus Free



**100%**  
GUARANTEE  
VIRUS FREE SOFTWARE



# CARLYLE SEMI-HERMETIC COMPRESSORS

## GUIDE TO 06D PART NUMBERING SYSTEM

	PRODUCT SERIES			UNLOADER VARIATIONS	MOTOR SIZE	CFM DISPLACEMENT	KEY NUMBER	SUCTION VALVE & M.E. COVERAGE ORIENTATION		VARIABLES OVERLOADS & INTERNAL THERMOSTAT		ELECTRICAL CHARACTERISTIC VARIATIONS	FUTURE DESIGN VARIABLES	PACKAGING VARIATIONS
MODEL	0	6	D	A	3	1	6	0	0	A	3	2	0	0
VARIABLE DIGIT	1	2	3	4	5	6	7	8	9	10	11	12	13	14

### NOTES:

- SPECIAL ORDER SERVICE COMPRESSORS FOR BRYANT MAY BE PROCESSED AS "9" NAMEPLATED "6" (8TH DIGIT).
- SERVICE MODELS WITH "C" IN THE 10TH DIGIT REPLACE ALL "A", "C" AND "E" ORIGINAL EQUIPMENT MODELS AND "D" SERVICE MODELS REPLACE "8" & "F" MODELS. TERMINAL BOXES AND OVERLOADS ARE TO BE RE-USED OR REPLACED IF DAMAGED.
- "09" IN THE 11TH & 12TH DIGITS HAS BEEN USED IN THE PAST FOR 400-3-50 MOTORS AND IS NO LONGER USED, SO AS TO AVOID CONFUSION IN SERVICE THESE DIGITS ARE TO BE LEFT ON THIS CHART BUT ARE NOT TO BE RE-USED.

**1st, 2nd, 3rd DIGITS**  
SIGNIFY 06D HERMETIC RECIp. COMPRESSOR

4th DIGIT UNLOADER VARIABLE			DESCRIPTION
LETTER	STANDARD	SERVICE	
A	X		NO HOT GAS BY-PASS UNLOADERS
B	X		ELECTRIC UNLOADERS 1 STEP
C	X		ELECTRIC UNLOADERS 2 STEP
D	X		PRESSURE UNLOADERS 1 STEP
E	X		PRESSURE UNLOADERS 2 STEP
F	X		SUCTION CUT-OFF 1 STEP
G	X		ELECTRIC UNLOADERS 2 STEP
M		X	MEDIUM TEMPERATURE, REPLACES ALL "A's" IN SERVICE
N		X	2 SHAVED HEADS - SPECIAL ORDER
R		X	REFRIGERATION
W	X		A/C - 2 PLUGGED HEADS, REPLACES ALL C & E SERVICE - SPECIAL ORDER
X	X		1 PLUGGED HEAD REPLACES ALL B, C, D & E PROD. MODELS IN SERVICE
Y	X		REFR. 2 PLUGGED HEADS SERVICE - SPECIAL ORDER
S	X		HI-EFF SERVICE MOD. w/1 BLOCKED UNLOADER HEAD - REPLACES F, G, H & J
H	X		SUCTION CUT-OFF 1 STEP
J	X		PRESSURE UNLOADERS 2 STEP

5th DIGIT VARIABLE	MOTOR SIZES		
	2 CYL	4 CYL	6 CYL
0		3 HP	
1	2 HP		5 HP
2			24 LBFT
3		5 HP	27 LBFT
4	3-1/2 HP		
5		5-1/2 HP	
6			
7		5 HP	20 LBFT
8	3 HP	20 LBFT	24 LBFT
9			

6th & 7th DIGIT CFM	CRANKCASE ASSEMBLY NO.	CYL BORE
07	6D20-249	1-13/16
08	6D23-249	2
09	6D23-249	2
13	6D48-249	2
16	6D48-249	2
18	6D48-249	2
20	6D48-249	2
24	6D68-249	2
28	6D75-249	2
37	6D75-249	2

8th DIGIT VARIABLE	KEY NUMBER SIGNIFICANCE
0	PROD. MOD. w/T-BOX
1	PKG. CPRSR. & CONTROL BOX
2	OEM A/C COMPRESSOR
3	TYLER MODELS
4	TECUMSEH OEM MODELS
5	FUTURE USE
6	REMANUFACTURED SERVICE COMP.
7	NEWMAN SERVICE COMPRESSOR
8	SPECIAL ORDER ONLY
9	SERV. SPEC. OR SEE NOTE 1

13th DIGIT	FUTURE DESIGN VARIABLES
0	ORIGINAL DESIGN A/C & REFRIG.
1	2nd GENERATION REFRIG. COMPRESSOR w/NEW VALVE PLATE
2	MED. RANGE A/C COMPRESSOR w/REFRIG. CHARACTERISTICS
3	LOW CLEARANCE VOLUME
4	SUCTION CUT-OFF ELECTRIC UNLOADERS 1 STEP
5	OILLESS
6	
7	

14th DIGIT	PACKAGE VARIATIONS
0	SERVICE UNIT SINGLE PACK-BASE UNIT UNPACKAGES
1	SERVICE PACK- DOMESTIC LESS SERVICE VALVE
2	MULTI-PACK - DOMESTIC
3	EXPORT - 1 UNIT
4	MULTI-PACK
5	PALLETIZED
6	GOVERNMENT PACK
7	SERVICE PACK- DOMESTIC w/SERVICE VALVE
8	MATCHED COMPONENTS - CONSISTS OF SEPARATE EXPORT PACKAGE PIECES
9	DOMESTIC MULTI-PACK & MCMINNVILLE

10th DIGIT	OVERLOAD & TSTAT VARIABLE SEE NOTE 2		DESCRIPTION
	EXTL. OVLD.S.	INIT. TRAT.	
A	YES	YES	
B	YES	NO	
C	NO	YES	
D	NO	NO	
E	YES	YES	1st OVERLOAD VARIATION
F	YES	NO	1st OVERLOAD VARIATION
G	YES	YES	MANUAL RESET OVERLOADS
T	NO	YES	TECUMSEH SERVICE MODELS

11th & 12th DIGITS	ELECTRICAL CHARACTERISTICS VOLTS-PHASE-HERTZ	START
00		XL
01	575-3-60	XL
02	200-1-60	XL
03	230-1-60	XL
04	200-3-60	XL
05	230-3-60	XL
06	400/460-3-50/60	XL
07	230-1-50	XL
08	220-3-50	XL
09	SEE NOTE 3	XL
10	230-2-60	XL
11	480-3-60	XL
12	208/230-3-60	XL
13	380-3-60	XL
14	200-3-60	P/W
15	230-3-60	P/W
18	220-3-50	P/W
19	230/460-3-60	XL
21	575-3-60	XL
26	400/460-3-50/60	XL
31	575-3-60	XL
32	208/230-3-60	XL
36	400/460-3-50/60	XL
38	415-3-50	P/W
39	415-3-50	XL
33	208/230-1-60	XL
34	220-3-50	XL

9th DIGIT	SUCTION SERVICE VALVE VARIABLES			
	LOC. OF VALUES	M.E. COV. DESC.	VALVE ORIENTATION	
A	MOTOR END	2 BOLT	30°	
B	MOTOR END	4 BOLT	30°	
C	MOTOR END	2 BOLT	90°	
D	MOTOR END	4 BOLT	90° or 180°	
E	MOTOR END	2 BOLT	150°	
F	PUMP END	PLAIN	270°	
G	PUMP END	PLAIN	225°	

*Generally, for a compressor changeout in a Carrier/BDP unit, the use of existing circuit breaker(s) is acceptable.*

An Introduction to Panasonic (formally Sanyo) HIT/HIP PV Solar Panels Panasonic s (formally Sanyo) HIT solar pv modules offer one of the highest conversion.

Solar PV. Typically provides around 60% of annual electricity requirement; Tax free Feed In Tariff payments; Inflation linked returns of 10% plus

Solar Manufacturer Brands. FreeCleanSolar.com offers the biggest selection of brands at wholesale solar prices. These manufacturers provide a 25 year warranty for.

Solar surveys and solar quotes instantly. Clear facts about solar panels = our mission. Buy solar PV installations with minimum hassle. Just phone us now and we will.

40m x Solar PV Cable 4mm. 1 x Landis & Gyr Single Phase Generation Meter. 1 x Set - Solar PV Warning Labels. 4 x Pairs - Multi Contact/MC4 Connectors (Male and Female)

Solar panel refers to a panel designed to absorb the sun's rays as a source of energy for generating electricity or heating. A photovoltaic (in short PV) module is a.

ET Solar Panels: Yingli Solar Panels: Sunways Solar Panels: SolarWorld Solar Panels: Mitsubishi Solar Panels: Suntech Solar Panels: Sunware Solar Panels: Sanyo Solar.

Intenergy Discount Wholesale Panels Solar PV Panels Perlight Discount Wholesale Panels

Get your Instant Solar Panels Quote Online Now! Solarking UK supply and install only the highest grade solar panels.

The DIY solar panel kit and solar power specialists for free lighting, heating and power.